

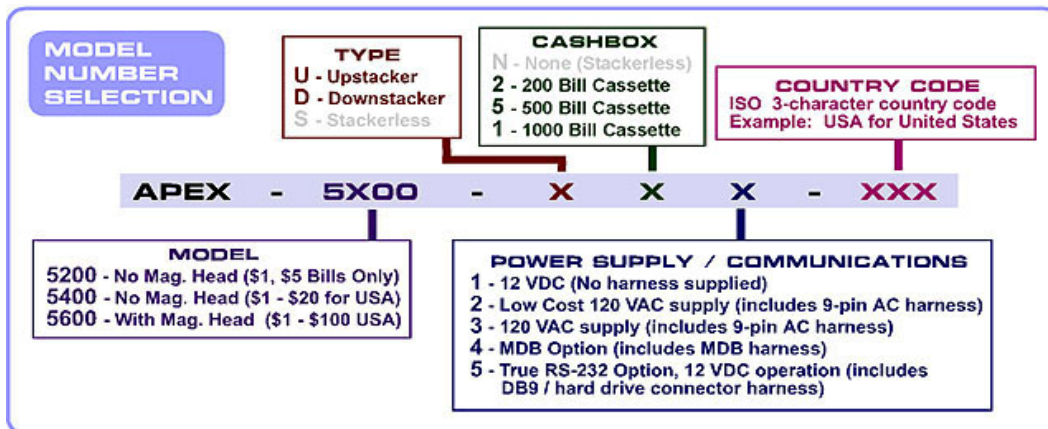
APEX 5000 Series Bill Validator

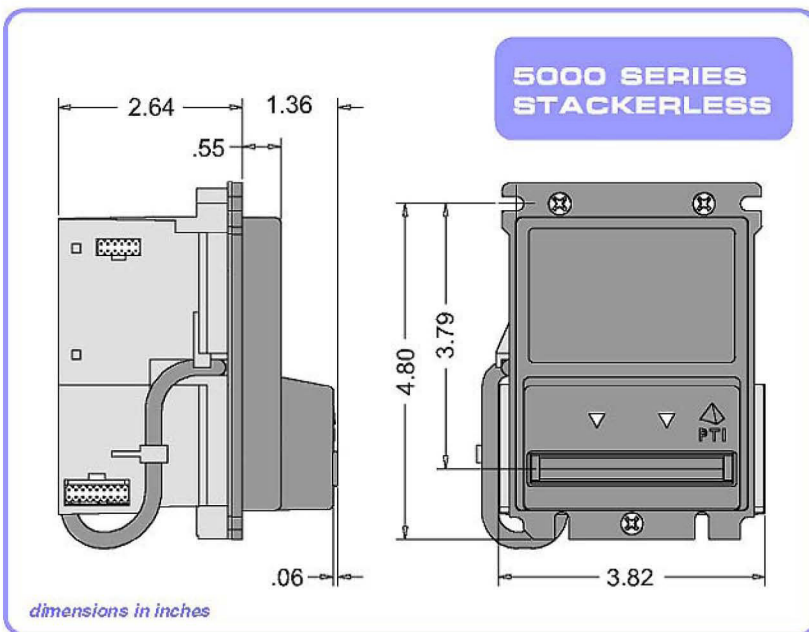
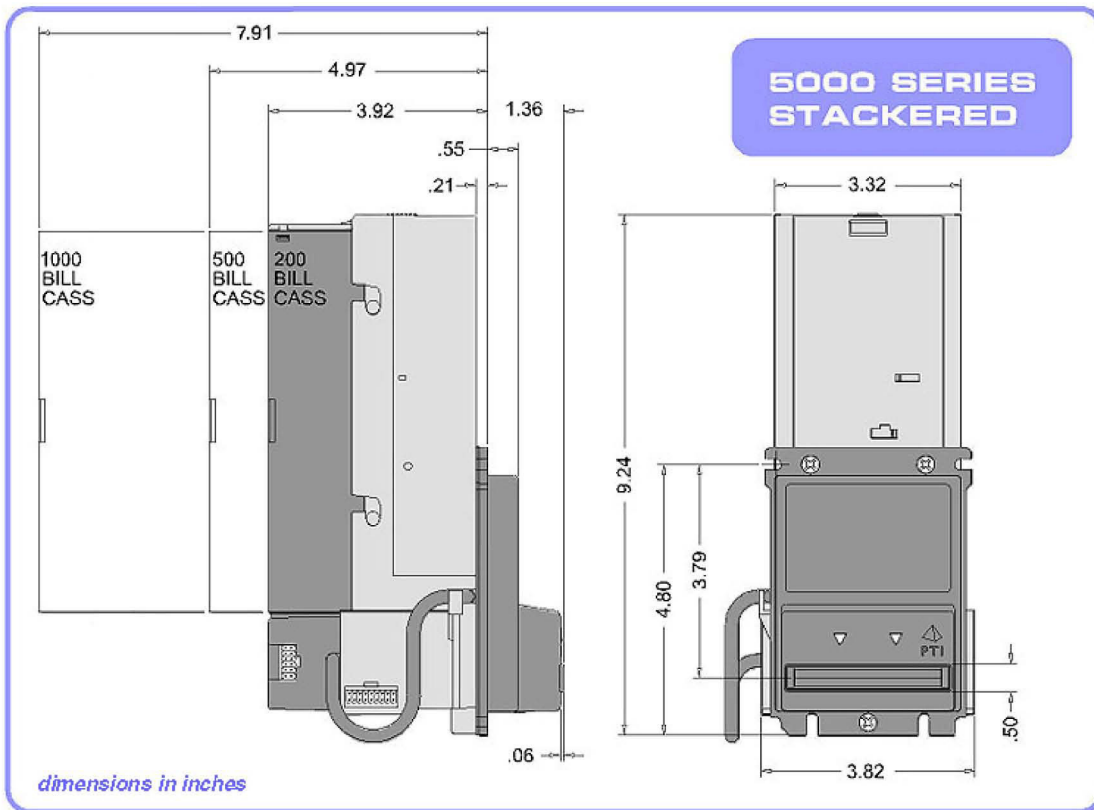
PRODUCT FEATURES:

- Lighted arrows on bezel and bill entry area
- High security against fraudulent bills
- Flash updates using a Palm™ PDA
- Pushbutton / LED on-board diagnostics
- Palm™ advanced diagnostics
- Many interfaces available - pinouts compatible with other manufacturers*
- Dual-stage optical anti-stringing
- Simple setup with Configuration Card
- 12VDC standard, optional 120VAC internal power supply
- Bills up to 72mm wide accepted for foreign applications
- Automatic self-calibration - never requires user calibration

APEX 5000 SPECIFICATIONS

OPERATING VOLTAGE: 12VDC standard, 120VAC supply optional.
OPERATING CURRENT: 180mA idle; 500mA operating; 1.50A stalled.
OPERATING TEMP.: 0C to 60C, 90% non-condensing humidity.
ACCEPTANCE RATE: Greater than 95% (including second-time insertion of a rejected bill).
ACCEPTANCE SPEED: Approx. 20 bills per minute.
SENSOR ARRAY: (8) Optical Sensors; (1) Magnetic Head standard on \$50, \$100 version.
BILLS ACCEPTED: Up to 12 bills in all four directions.
NET WEIGHT: Stackered: 2.3 lbs / 1.04 kg.
WARRANTY: 2 years, parts and labor.





Hemisphere West Las Vegas
6787 West Tropicana Avenue
Suite 120B
Las Vegas, Nevada 89103 USA
Phone : (702)364-4936
Fax : (702)364-9915
email : john@hwlvegas.com
internet : www.hwlvegas.com