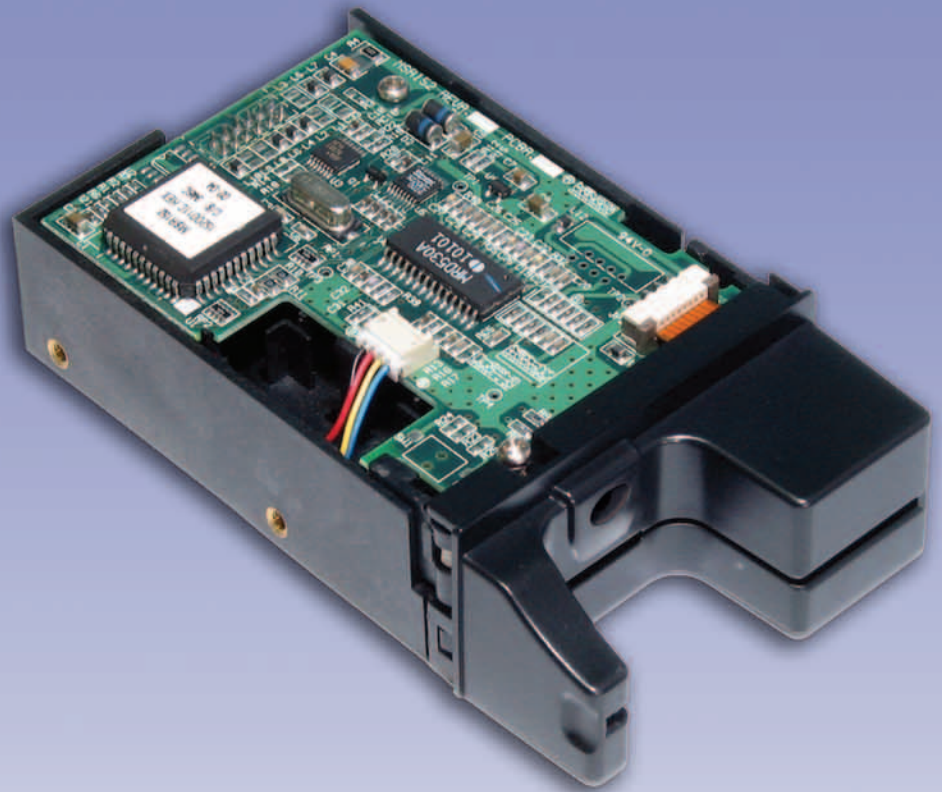


Magnetic Card Reader

Manual Insertion



MSR152 Series

- Port powered
- Programmable track data output
- Low power consumption
- Read magnetic cards conform to ISO7811
- Read high or low coercivity magnetic stripes (300-4000Oe)
- Small footprint, light weight, low cost
- Large coin drop
- Optional plastic and metallic bezels
- Optional dual heads
- Optional LED

Manual Insert Magnetic Card Reader



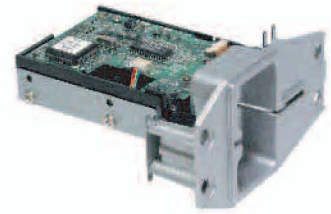
Metal M Bezel



M Bezel

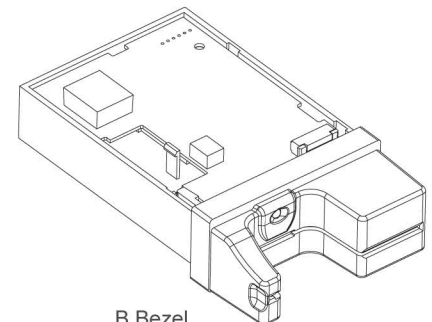
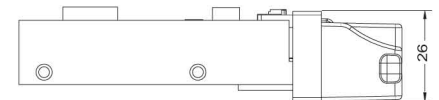
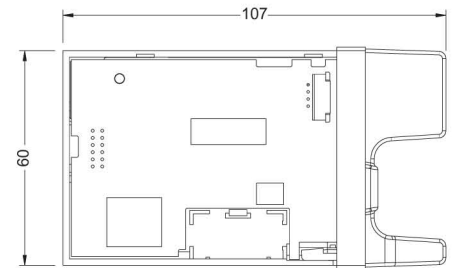
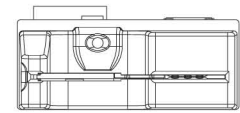


A Bezel



S Bezel

Specification			
Electrical			
Power Requirement	Port powered		
Power Consumption	10mA max.	100mA	100mA
Communication	RS232	USB	PS2 KB
Mechanical			
Body Material	PC+20%GF+6%(W)TEFR		
Dimension	107mm(L) x 60mm(W) x 26mm(H)		
Weight	Approx. 65g		
Card Handling Method	Manual insertion, bi-directional		
Agency approval			
	FCC class A, CE class A, BSMI class B		
Environment			
Operation	-10 to 50°C, 15 to 90% humidity,		
Storage	-30 to 70°C, 10 to 90% humidity		
Performance			
Card Type	Magnetic card as per ISO7811, AAMVA		
Read Card Format	Track1	Track2	Track3
Bit Density	210bpi	75bpi	210bpi
Coercivity	Read 300~ 4000 Oe magnetic stripe		
Read Speed	STD card	Jitter±15%	Amp. 60%
	4~ 40ips	5~ 35ips	5~ 35ips
Card Thickness	0.76 ± 0.08mm		
Error Rate	<0.5%		
Head Life	500K min, 1M life optional		



B Bezel



Hemisphere West Las Vegas

Phone : (702)364-4936
 Fax : (702)364-9915
 email : sales@hwiglobal.com
 internet: www.hwiglobal.com

Hemisphere West Europe Ltd

Tel: + 44 (0)1793 750726
 Fax: + 44 (0)1793 752857
 email: sales@hwiglobal.com
 internet: www.hwiglobal.com